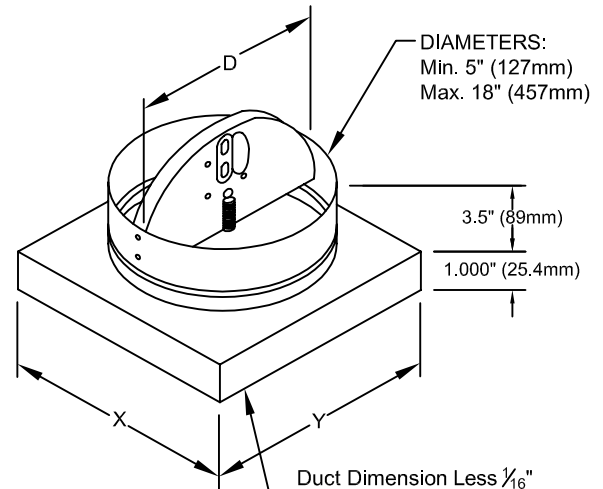


**Application and Design**

The Model C-RD-T (-A/T) is a square neck diffuser to a round duct, UL classified ceiling (radiation) damper, butterfly style approved for both steel duct, and flex duct installations in approved UL ceiling designs that incorporate/show a hinged door damper requiring fire/heat protection where HVAC components penetrate the ceiling membrane. These dampers provide protection up to 22" x 22" (559mm x 559mm) diffuser openings and an 18" (457mm) diameter duct opening.

**Standard Construction**

**Frame:** Roll formed - 22 Ga. - Galvanized Steel  
**Blades:** 22 Ga. - Galvanized Steel, un-insulated  
 9" x 9" (229mm x 229mm) (81 sq. in) and under with U.L. classified insulation over 9" x 9" (229mm x 229mm) (81 sq. in.)  
**Springs:** Corrosion resistant steel spring  
**Fusible Link:** Replaceable 212°F (100°C) standard (others available)



transition Plate 22 Ga. Galv. steel  
 Maximum Diffuser Neck: 22" x 22"  
 (558mm x 558mm)

| Extended Frame Table *   |                 |
|--------------------------|-----------------|
| Size (D)                 | Frame Depth (H) |
| 5"-10" (127mm to 254mm)  | 6-3/4" (171mm)  |
| 11"-14" (279mm to 356mm) | 8-3/16" (208mm) |
| 15"-18" (381mm to 457mm) | 11-3/4" (298mm) |

| Standard Sizes (duct) |                       |
|-----------------------|-----------------------|
| Min. Size             | Max. Size             |
| 5" Diameter<br>127mm  | 18" Diameter<br>457mm |



**C-RD-A/T**  
 with adjustable volume controller

**Options:**

- Volume Adjustment
- Thermal Blanket - 1/8" (3.18mm) thick (24"x24") (610 mm x 610mm) CK2000-1 (Required on surface mtd. diffuser larger than 1" (25.4mm) in any direction of diffuser neck opening.
- Alternate Thermal Blanket - 1/4" (31.8mm) Batt (24"x24") (610 mm x 610mm) CK2000-1B (Required on T-Bar or on surface mtd. diffuser larger than 1" (25.4mm) in any direction of diffuser)

Note:  
 Due to continuing research, UE reserves the right to change specifications without notice.

**SUGGESTED SPECIFICATION**

Round Ceiling damper's shall be Model C-RD-T or C-RD-A/T by United Energetech. Ceiling dampers shall bear the Underwriters' Laboratories label and be rated for both steel duct and flex duct installations. No external damper supports shall be required for ceiling dampers up to and including 18" (457mm) diameter. Ceiling dampers shall be non-asbestos type and be furnished with a fusible link volume controller where shown (Model C-RD-A/T).

**Manufacturer's Recommendations**

All moving parts of the damper must be inspected and cycled once the first year and at intervals not greater than every 4 years or in accordance with the latest edition of NFPA 90A, 92A, local codes and the manufacturer. In addition, fuse links shall be removed and inspected for corrosion. Dry lubricants are recommended

|             |  |              |            |
|-------------|--|--------------|------------|
| Job Name:   | <input type="checkbox"/> <b>MODEL C-RD-T</b>   |              |            |
| Location:   | <input type="checkbox"/> <b>MODEL C-RD-A/T</b> |              |            |
| Architect:  | DRAWN BY:                                      | DATE:        | REV. DATE: |
| Engineer:   | BR   | 11-7-07      | 3-12-18    |
| Contractor: | REV. NO.                                       | APPROVED BY: | DWG. NO.:  |
|             | 5  | CLJ          | <b>D-2</b> |